



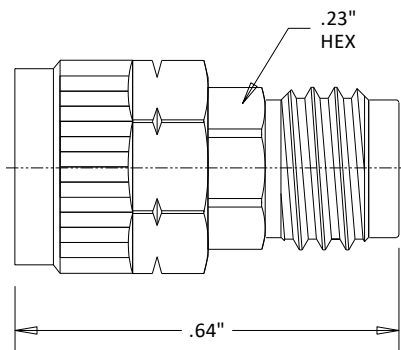
C0150 2.4/Male to 2.4/Female Inner DC Block 10 Mhz - 50 GHZ

Rev 000

Electrical	
Frequency	10 Mhz – 50 GHZ
VSWR	1.35 Max
Impedance	50 Ohms
Voltage	60 Volts DC Max
Insertion Loss	0.6 dB Max
Mechanical	
2.4 Interface per	MIL-STD-348B
Operating Temperature	-55°C to +100°C
Materials	
Body	Passivated Stainless Steel
Contacts	BeCu
Contact Plating	Au 50μ" Min
ROHS Compliant	



Outline



Dimensional Tolerances

.X	±.030
.XX	±.010
.XXX	±.005

Typical Data

