



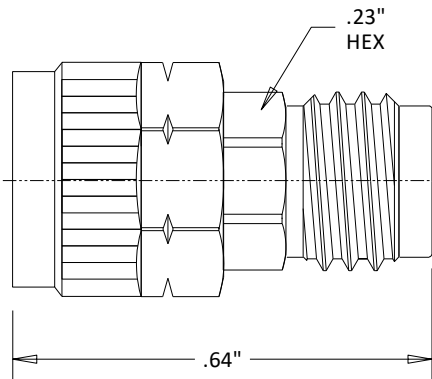
C1067 1.85/Male to 1.85/Female Inner DC Block 10 Mhz - 67 GHZ

Rev 000

| | |
|-----------------------|----------------------------|
| Electrical | |
| Frequency | 10 Mhz – 67 GHZ |
| VSWR | 1.50 Max |
| Impedance | 50 Ohms |
| Voltage | 60 Volts DC Max |
| Insertion Loss | 0.9 dB Max |
| Mechanical | |
| 1.85 Interface per | IEEE P287 |
| Operating Temperature | -55°C to +100°C |
| Materials | |
| Body | Passivated Stainless Steel |
| Contacts | BeCu |
| Contact Plating | Au 50μ" Min |
| ROHS Compliant | |



Outline



Dimensional Tolerances

| | |
|------|-------|
| .X | ±.030 |
| .XX | ±.010 |
| .XXX | ±.005 |

Typical Data

