



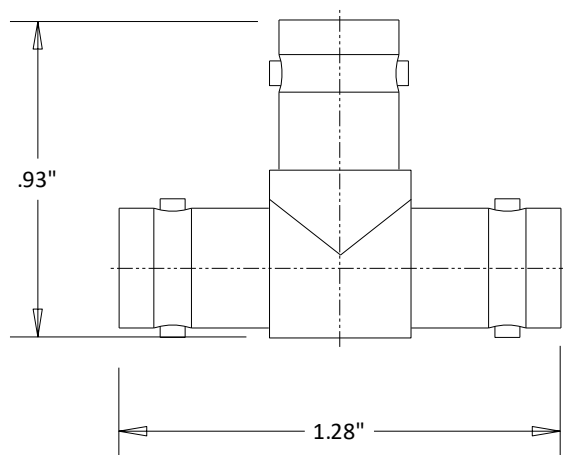
C2180 BNC/Female-Female-Female Adapter 1 GHZ

Rev 002

Electrical	
Frequency	0-1 GHZ
VSWR	2.1:1 Max
Impedance	50 Ohms
Mechanical	
BNC Interface per	MIL-STD-348B
Operating Temperature	-55°C to +120°C
Materials	
Body	Nickel Plated Brass
Contacts	BeCu
Contact Plating	Au 30μ inches
Dielectric	PTFE
ROHS Compliant	



Outline



Dimensional Tolerances

.X	±.030
.XX	±.010
.XXX	±.005