



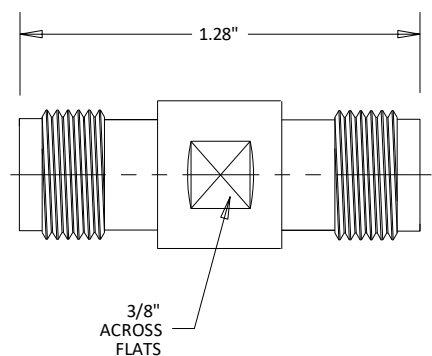
C2503 TNC/Female to TNC/Female Adapter 18 GHZ

Rev 001

Electrical	
Frequency	0-18 GHZ
VSWR	1.25 Max @ 18 GHZ
Impedance	50 Ohms
Mechanical	
TNC Interface per	MIL-STD-348B
Operating Temperature	-55°C to +155°C
Materials	
Body	Passivated Stainless Steel
Contacts	BeCu
Contact Plating	Au Per MIL-G-45204
Dielectric	PTFE per ASTM-D-1710
ROHS Compliant	



Outline



Dimensional Tolerances

.X	±.030
.XX	±.010
.XXX	±.005

Typical Data

