



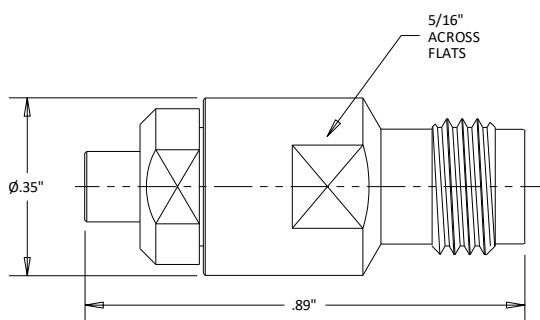
C4392 1.85/Female to MiniSMP/Male Full Détente Adapter 65 GHZ

Rev 001

Electrical	
Frequency	0-65 GHZ
VSWR	1.50 Max
Impedance	50 Ohms
Mechanical	
1.85 Interface per	IEEE P287
MiniSMP Interface per	MIL-STD-348B
Operating Temperature	-40°C to +120°C
Materials	
Body	Passivated Stainless Steel
Contacts	BeCu
Contact Plating	SucoPRO
ROHS Compliant	



Outline



Dimensional Tolerances

.X	±.030
.XX	±.010
.XXX	±.005

Typical Data

