



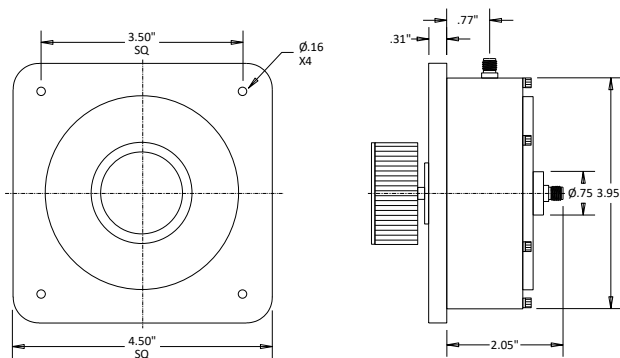
## C4S-90 SMA/Female 90 dB Variable Attenuator 0-4 GHZ

Rev 000

<b>Electrical</b>	
Frequency	0-4 GHZ
VSWR	1.8 Max
Impedance	50 Ohms
Power Handling	5 Watts Avg, 0.5 kW Peak
Insertion Loss	5 dB
Calibration	Dial calibrated at 1 dB increments
<b>Mechanical</b>	
SMA Interface per	MIL-STD-348B
Operating Temperature	0°C to +85°C
<b>Materials</b>	
Body(Connector)	Passivated Stainless Steel
Contacts	BeCu
Contact Plating	Au Per MIL-G-45204
ROHS Compliant	



### Outline



#### Dimensional Tolerances

.X	±.030
.XX	±.010
.XXX	±.005

### Typical Data

