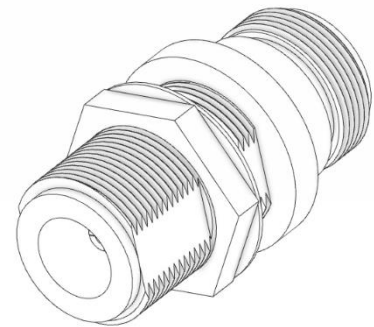




C5605 N/Female to N/Female Hermetic Bulkhead Adapter 11 GHZ

Rev 002

Electrical	
Frequency	0-11 GHZ
VSWR	1.20
Impedance	50 Ohms
Mechanical	
N Interface per	MIL-STD-348B
Operating Temperature	-40°C to +120°C
Materials	
Body	Tri-Alloy Plated Brass
Contacts	BeCu
Contact Plating	SucoPRO
Dielectric	PTFE
ROHS Compliant	



Leak Rate : 1×10^{-6} CC/Sec & IP68 Rated(Mated Condition)

