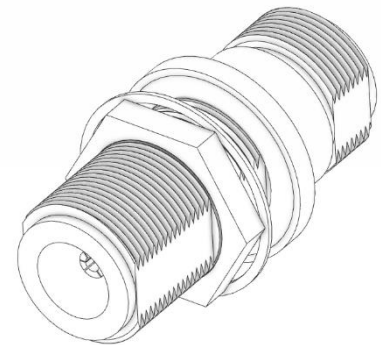




C5615 N/Female to N/Female Hermetic Bulkhead Adapter 18 GHZ

Rev 003

| | |
|-----------------------|---------------------|
| Electrical | |
| Frequency | 0-18 GHZ |
| VSWR | 1.30 Max |
| Impedance | 50 Ohms |
| Mechanical | |
| N Interface per | MIL-STD-348B |
| Operating Temperature | -55°C to +125°C |
| Materials | |
| Body | Nickel Plated Brass |
| Contacts | BeCu |
| Contact Plating | Au 50μ" Min |
| Dielectric | PTFE |
| ROHS Compliant | |



Leak Rate : 1×10^{-8} CC/Sec

