



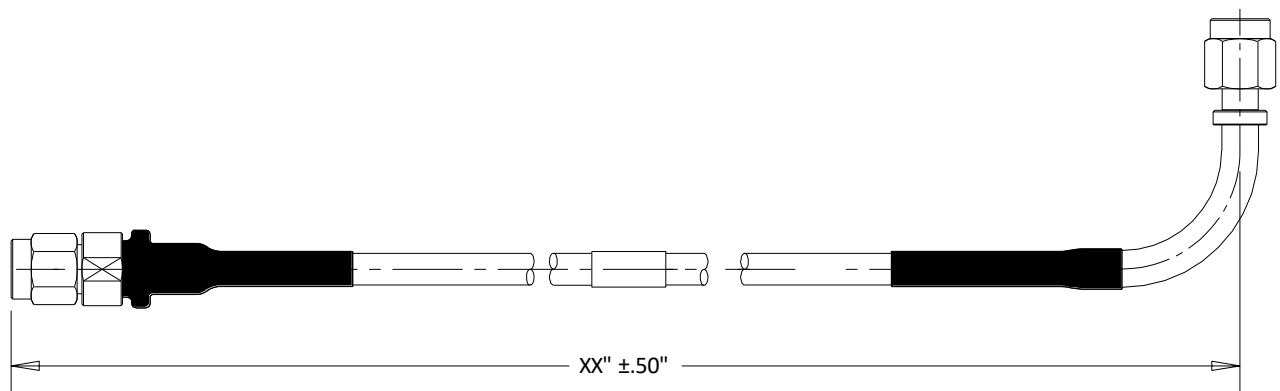
## C582-141-XX SMA/Male to SMA/Male/Right Angle .141 Cable Assembly 18 GHZ

Rev 000

<b>Electrical</b>	
Frequency	0-18 GHZ
VSWR	1.25 Max
Impedance	50 Ohms
<b>Mechanical</b>	
SMA Interface per	MIL-STD-348B
Operating Temperature	-55°C to +105°C
<b>Materials</b>	
Outer Shield Diameter	.141"
Overall Diameter	.163"
SMA Connector Body	Passivated Stainless Steel
Contacts	BeCu
Contact Plating	Au 50μ" Min
ROHS Compliant	



### Outline



#### Dimensional Tolerances

.X	±.030
.XX	±.010
.XXX	±.005