



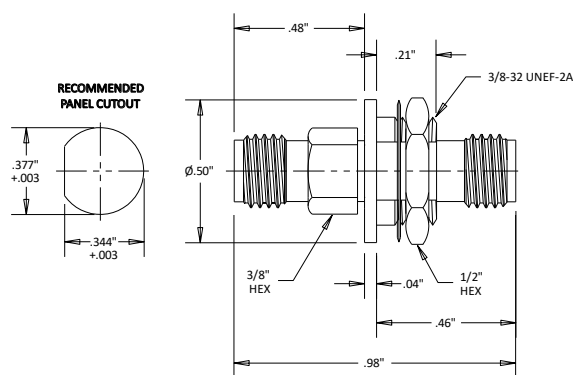
C7084 2.92/Female to 2.92/Female Bulkhead Adapter 40 GHz

Rev 000

Electrical	
Frequency	0-40 GHz
VSWR	1.25
Impedance	50 Ohms
Mechanical	
2.92 Interface per	IEEE STD 287
Operating Temperature	-45°C to +125°C
Materials	
Body	Passivated Stainless Steel
Contacts	BeCu
Contact Plating	Au 50μ" Min
ROHS Compliant	



Outline



Dimensional Tolerances

.X	±.030
.XX	±.010
.XXX	±.005

Typical Data

