



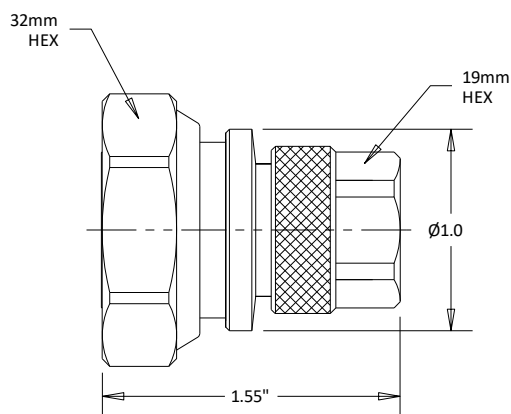
C8465 7/16-Female to N/Male Adapter 6 GHZ

Rev 000

Electrical	
Frequency	0-6 GHZ
VSWR	1.15 Max
Impedance	50 Ohms
PIM(3 rd)	-165 dBc Max with 2 CW Tones @ 20 W
Mechanical	
7/16 Interface Per	IEC 61169-4
N Interface per	MIL-STD-348B
Operating Temperature	-55°C to +125°C
Materials	
Body	Trialloy plated Brass
Contacts	BeCu
Contact Plating	Silver
Dielectric	PTFE
ROHS Compliant	



Outline



Dimensional Tolerances

.X	±.030
.XX	±.010
.XXX	±.005

Typical Data

