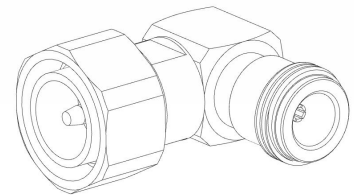




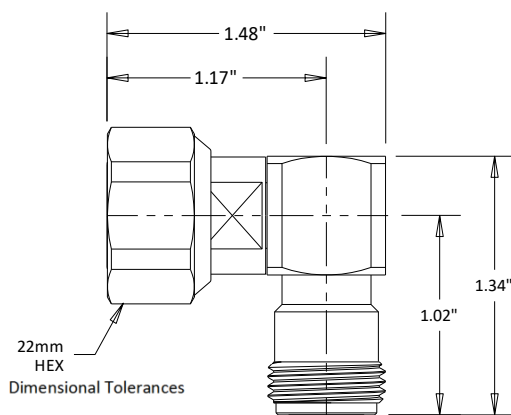
C8513 4.3/10-Male to N/Female Right Angle Adapter 6 GHZ

Rev 000

Electrical	
Frequency	0-6 GHZ
VSWR	1.30 Max
Impedance	50 Ohms
PIM(3 rd)	-163 dBc Max with 2 CW Tones @ 43 dBm
Mechanical	
4.3/10 Interface Per	IEC 61169-54
N Interface per	MIL-STD-348B
Operating Temperature	-45°C to +125°C
Materials	
Body	Tri-Alloy plated Brass
Contacts	BeCu
Contact Plating	Silver
Dielectric	PTFE
ROHS Compliant	



Outline



.X	±.030
.XX	±.010
.XXX	±.005

Typical Data

