



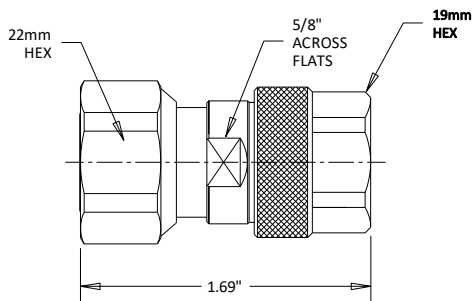
C8518 4.3/10 Male to N/Male Adapter 6 GHZ

Rev 001

Electrical	
Frequency	0-6 GHz
VSWR	1.10 Max
Impedance	50 Ohms
Mechanical	
N Interface per	MIL-STD-348B
Materials	
Body	Albaloy plated Brass
Contacts	BeCu
Contact Plating	Silver
ROHS Compliant	



Outline



Dimensional Tolerances

.X	±.030
.XX	±.010
.XXX	±.005

Typical Data

