



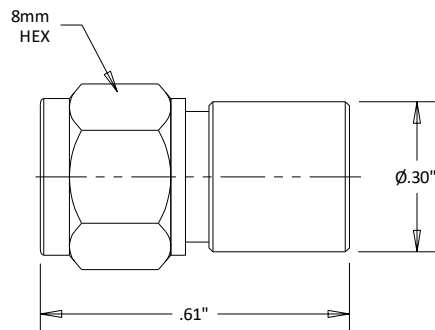
C901 1.35/Male 1 Watt Termination 90 GHZ

Rev 000

Electrical	
Frequency	0-90 GHZ
VSWR	1.60 Max
Impedance	50 Ohms
Power Handling	1 Watt Average @ 25°C Derated Linearly to 0.1 Watts @ 125°C
Mechanical	
1.35 Interface per	IEC 61169-65
Operating Temperature	-55°C to +125°C
Materials	
Body	Passivated Stainless Steel
Contacts	Brass
Contact Plating	Au 50μ" Min
ROHS Compliant	



Outline



Dimensional Tolerances

.X	±.030
.XX	±.010
.XXX	±.005