



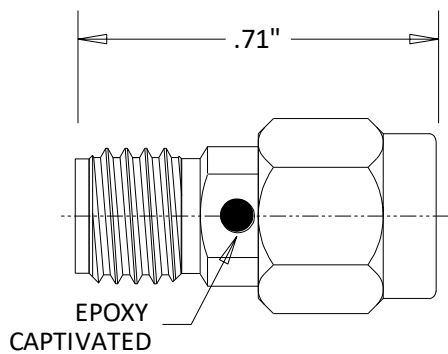
C9202 SMA/Male to SMA/Female Reverse Polarity Adapter 18 GHZ

Rev 000

Electrical	
Frequency	0-18 GHZ
VSWR	1.20
Impedance	50 Ohms
Mechanical	
SMA Interface per	MIL-STD-348B
Operating Temperature	-65°C to +165°C
Materials	
Body	Passivated Stainless Steel
Contacts	BeCu
Contact Plating	Au Per MIL-G-45204
Dielectric	PTFE
ROHS Compliant	



Outline



Dimensional Tolerances

.X	±.030
.XX	±.010
.XXX	±.005

Typical Data

