



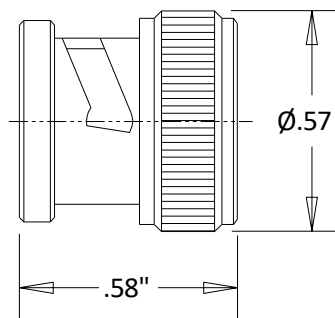
CBM3 BNC Male Dust Cap for Female Connectors

Rev 000

Mechanical	
BNC Interface per	MIL-STD-348B
Materials	
Body	Nickel Plated Brass
Operating Temperature	-55°C to +155°C
ROHS Compliant	



Outline



Dimensional Tolerances

.X	±.030
.XX	±.010
.XXX	±.005