



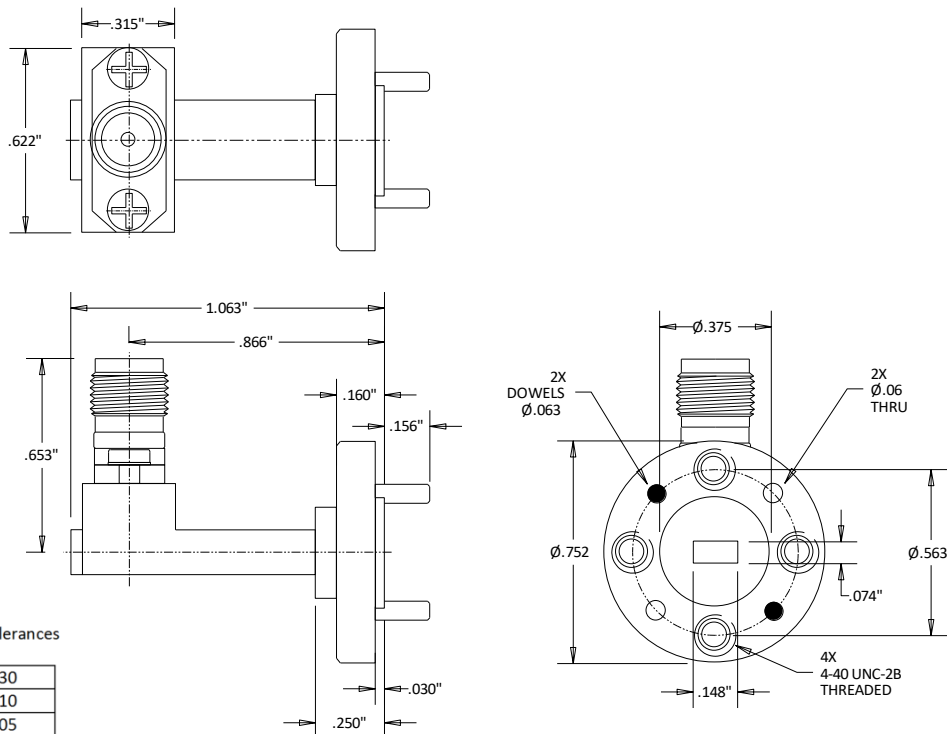
## CWR15185 1.85/Female to WR15 Coaxial to Waveguide Adapter 50-65 GHZ

Rev 001

<b>Electrical</b>	
Frequency	50-65 GHZ
VSWR	1.5 Max
Theoretical Insertion Loss	1.2 Max
Impedance	50 Ohms
<b>Mechanical</b>	
1.85 Interface per	IEEE STD 287
<b>Materials</b>	
Body	Al/Cu
Body(1.85)	Passivated Stainless Steel
Contact	BeCu
Contact Plating	Au per MIL-G-45204



### Outline



#### Dimensional Tolerances

.X	$\pm$ .030
.XX	$\pm$ .010
.XXX	$\pm$ .005