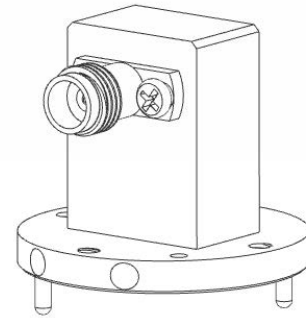




CWR2224C 2.4/Female to WR22 Coaxial to Waveguide Adapter 33-50 GHZ

Rev 000

Electrical	
Frequency	33-50 GHZ
VSWR	1.4
Theoretical Insertion Loss	0.5 Max
Impedance	50 Ohms
Mechanical	
2.4 Interface per	MIL-STD-348B
Materials	
Body	Au Plated Copper/Brass
Body(2.4)	Passivated Stainless Steel
Contact	BeCu
Contact Plating	Au 50 μ " Min
ROHS Compliant	



Related Links	
Typical Data	Product Page

