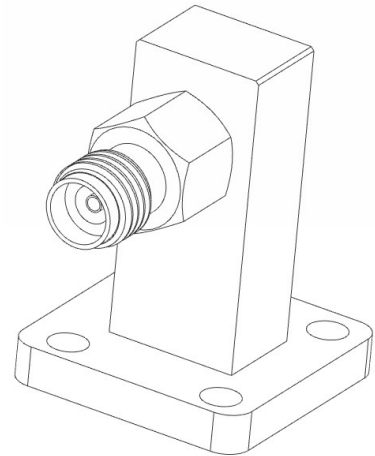




## CWR28KD 2.92/Female to WR28 Coaxial to Waveguide Adapter 26.5-40 GHz

Rev 001

<b>Electrical</b>	
Frequency	26.5-40 GHz
VSWR	1.25
Impedance	50 Ohms
<b>Mechanical</b>	
Operating Temp Range	-40°C to +70°C
2.92 Interface per	MIL-STD-348B
<b>Materials</b>	
Body	Cu
Body(2.92)	Passivated Stainless Steel
Contact	BeCu
Contact Plating	Au 50μ" Min
ROHS Compliant	



Related Links	
Typical Data	Product Page

