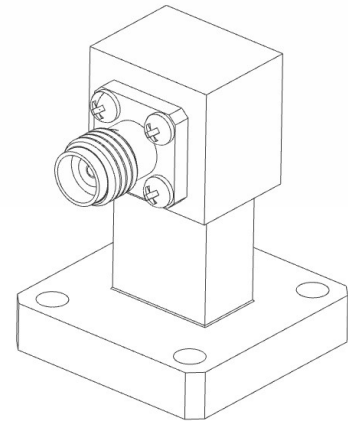




CWR34KB 2.92/Female to WR34 Coaxial to Waveguide Adapter 22-33 GHZ

Rev 001

Electrical	
Frequency	22-33 GHZ
VSWR	1.20
Impedance	50 Ohms
Power Handling	10 Watts CW
Mechanical	
2.92 Interface per	MIL-STD-348B
Materials	
Body	Cu
Body(2.92)	Passivated Stainless Steel
Contact	BeCu
Contact Plating	Au 50 μ " Min
ROHS Compliant	



Related Links	
Typical Data	Product Page

Compatible with
UG-1530/U

