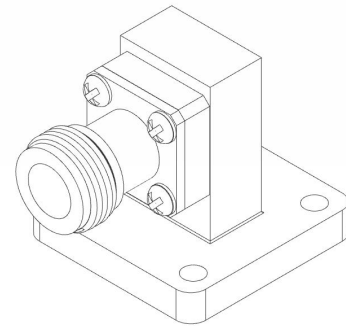




CWR62NC N/Female to WR62 Coaxial to Waveguide Adapter 12.4-18 GHZ

Rev 001

Electrical	
Frequency	12.4-18 GHZ
VSWR	1.25
Theoretical Insertion Loss	0.3 Max
Impedance	50 Ohms
Mechanical	
N Interface per	MIL-STD-348B
Materials	
Body	Brass/Cu
Body(N)	Nickel Plated Brass
Contact	BeCu
Contact Plating	Au 50 μ " Min
Dielectric	PTFE



Related Links	
Typical Data	Product Page

