



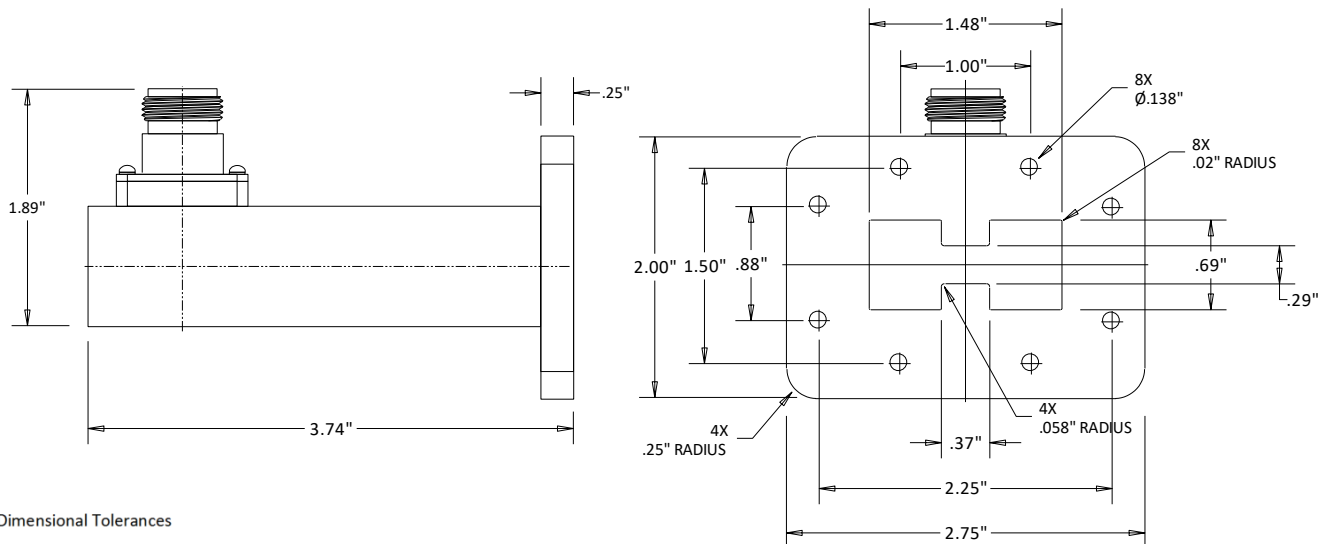
CWRD350N N/Female to WRD350 Coaxial to Waveguide Adapter 3.5-8.2 GHZ

Rev 000

Electrical	
Frequency	3.5-8.2 GHZ
VSWR	1.30 Max
Impedance	50 Ohms
Mechanical	
N Interface per	MIL-STD-348B
Materials	
Body	Al
Body(N)	Passivated Stainless Steel
Contact	BeCu
Contact Plating	Au 50 μ " Min



Outline



Dimensional Tolerances

.X	\pm .030
.XX	\pm .010
.XXX	\pm .005