



CX1412 SMA/Male Solder Connector for RG402(.141) 18 GHZ

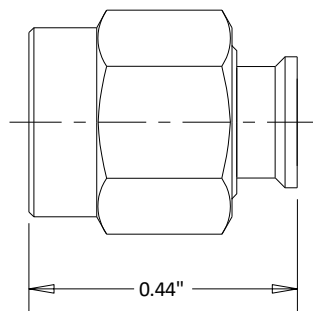
Rev 000

Electrical	
Frequency	0-18 GHZ
Impedance	50 Ohms
Mechanical	
SMA Interface per	MIL-STD-348B
Operating Temp Range	-55°C to +125°C
Materials	
Body	Passivated Stainless Steel
Contacts	Brass
Contact Plating	Au 30μ" Min
ROHS Compliant	



Outline

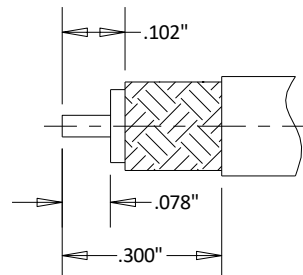
CONNECTOR BODY



SOLDER PIN



STRIPPING DIMENSIONS



Dimensional Tolerances

.X	±.030
.XX	±.010
.XXX	±.005