



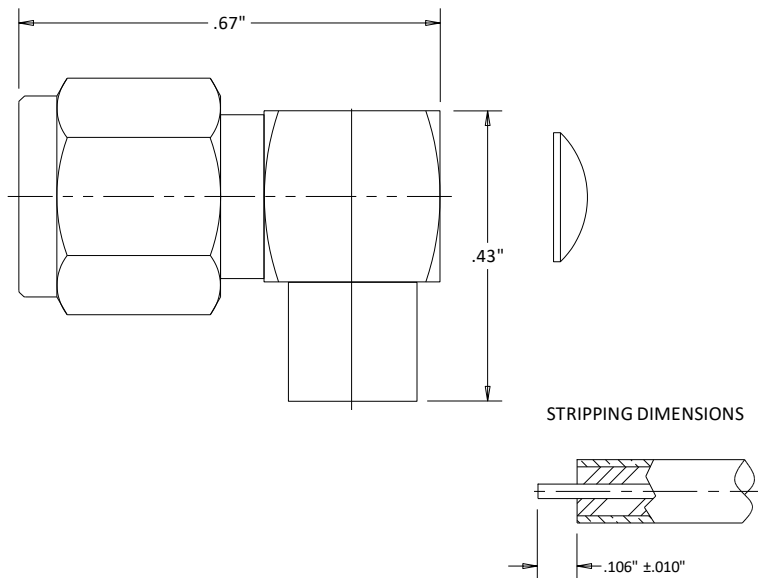
CX4022 SMA/Male Right Angle Connector for RG402(.141) 12 GHZ

Rev 000

Electrical	
Frequency	0-12 GHZ
Impedance	50 Ohms
Mechanical	
SMA Interface per	MIL-STD-348B
Materials	
Body	Au Plated Brass
Hex Nut	Passivated Stainless Steel
Contacts	Brass
Contact Plating	Au 30μ" Min
ROHS Compliant	



Outline



Dimensional Tolerances

.X	±.030
.XX	±.010
.XXX	±.005