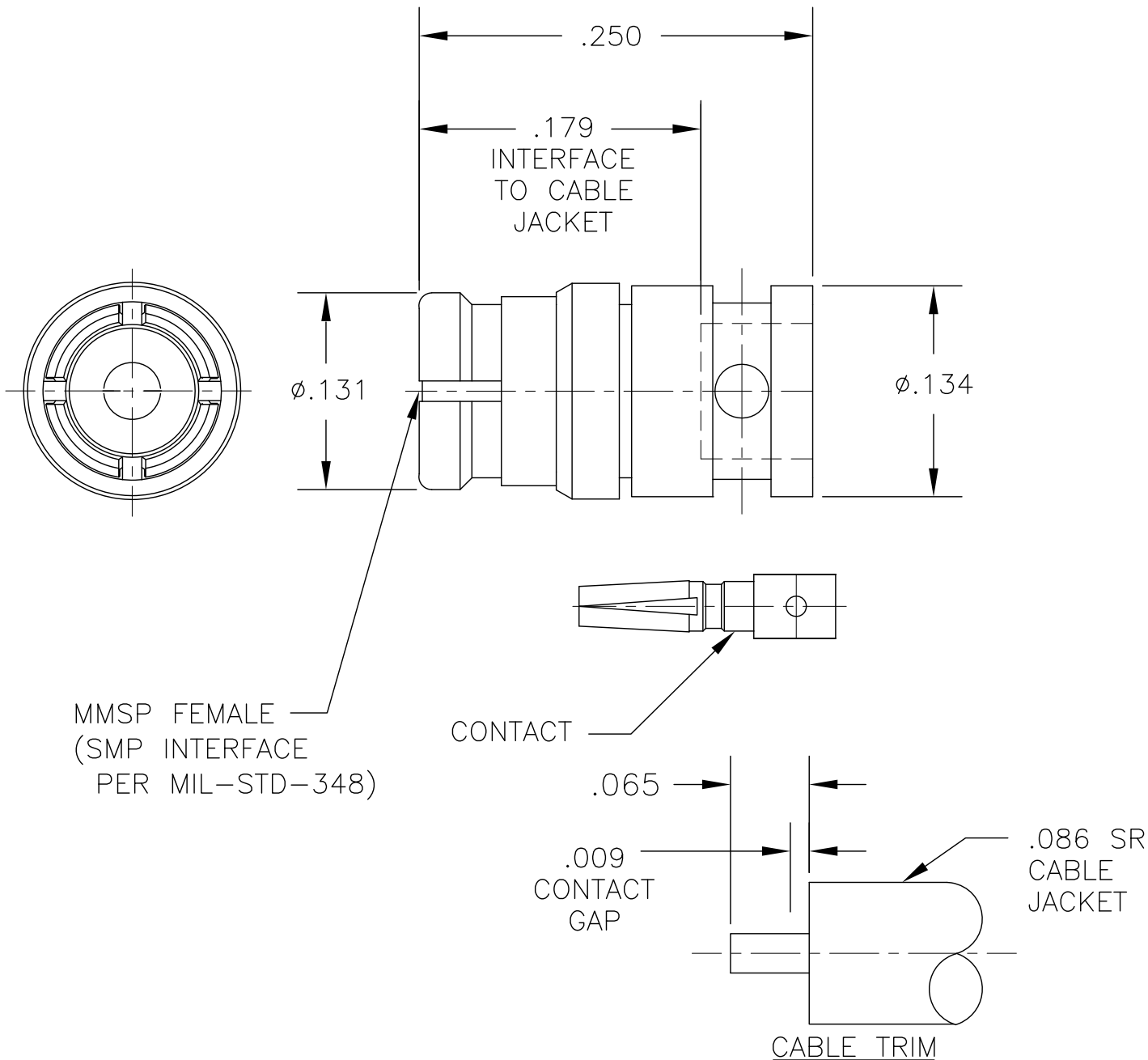


COMPONENT	MATERIAL AND FINISH	
BODY, CONTACT, ANTI-ROCK RING, EMI RING	BeCu, ASTM B196, UNS C17300	GOLD PLATE, MIL-G-45204, TYPE 1, GRADE C, CLASS 1
INSULATOR	PTFE, ASTM D1710, TYPE I, GRADE 1, CLASS A	

PART NO. MMSP-2508

OUTLINE DRAWING



MICRO-MODE PRODUCTS, INC.
The Reliable Connection to the Future

El Cajon, CA 92020
 ph 619.449.3844
 www.micromode.com

CAGE CODE
 15907

ASSY PROCEDURES: MMAP-2679	MMSP FEMALE STRAIGHT TO .086 SR CABLE	
INSERTION/EXTRACTION TOOL: MMTL-2681		
SHEET 1 OF 1	PART NO. MMSP-2508	REVISION D

OL2508 10-21-98 MM PC