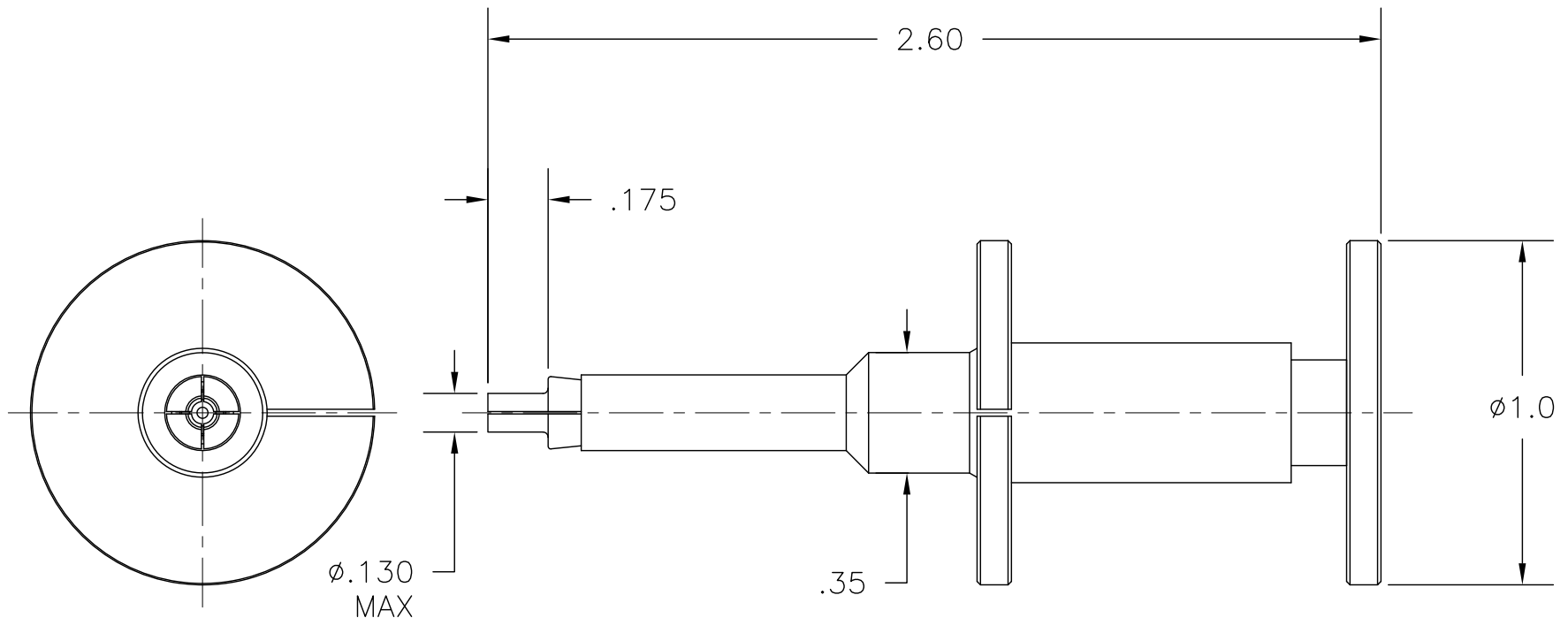



NOTE: THIS NARROW TIP TOOL CAN BE USED TO EXTRACT BULLETS FROM SMOOTH BORE AND LIMITED DETENT INTERFACES ONLY.

THE STANDARD TIP TOOL, MMTL-6460, CAN BE USED TO EXTRACT BULLETS FROM SMOOTH BORE, LIMITED DETENT AND FULL DETENT INTERFACES



PART NO. MMTL-7407 | OUTLINE DRAWING

COMPONENT	MATERIAL & FINISH		 MICRO-MODE PRODUCTS, INC. <i>The Reliable Connection to the Future</i>	El Cajon, CA 92020 ph 619.449.3844 www.micromode.com	CAGE CODE 15907
BODY & CONTACT	303 CRES, ASTM A582	PASSIVATE, AMS-QQ-P-35			
COLLET	BeCu, ASTM B196, UNS C17300	GOLD PLATE, MIL-DTL-45204, TYPE 1, GRADE C, CLASS 1	INSTALLATION/EXTRACTION TOOL FOR MSSP BLINDMATE INTERCONNECTS		
SPRING	302 CRES, ASTM A313	PASSIVATE, AMS-QQ-P-35	PART NO. MMTL-7407		
			REVISION C		
			SHEET 1 OF 1 OL7407 05-27-04 DR EB		